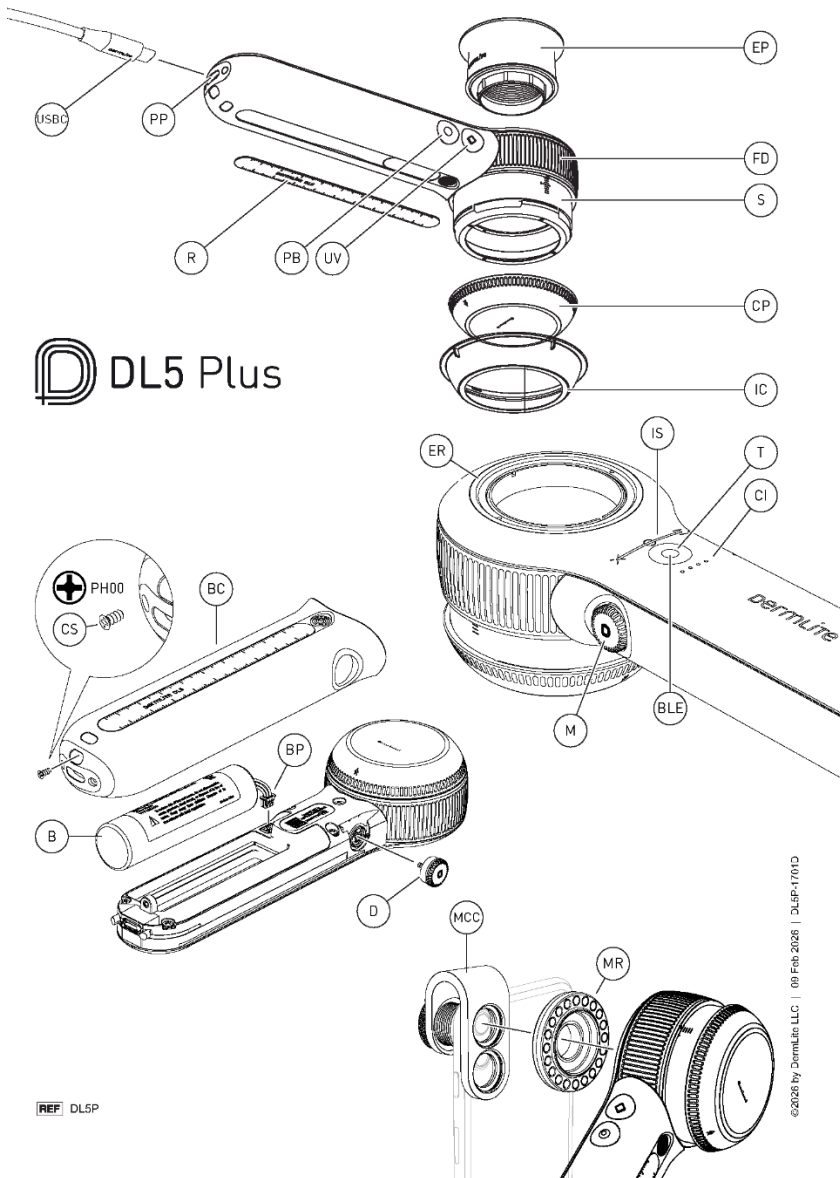


DermLite DL5 Dermatoscope – Overview and Operating Guide

The **DermLite DL5 dermatoscope** is a compact, smartphone-compatible dermoscopy device providing **10× optical magnification** for detailed examination of skin structures. It incorporates **adjustable polarised illumination and ultraviolet (UV) lighting** to enhance visualisation of subsurface skin features.



1. Basic Operation

Hold the DermLite DL5 with the LED lights pointing toward the skin lesion you wish to examine, keeping the device approximately **12 mm above the skin surface**.

Press the **main button (M)** to power on the device in **cross-polarised mode**. Look through the viewing lens and move the dermatoscope slightly closer or further away from the skin until the image becomes clear.

For **contact dermoscopy**, rotate the **Focus Dial (FD)** to extend the **Spacer (S)**. Adjust the dial until the image is sharp while the spacer rests on the skin.

To switch the device off, **press and hold the main button (M) for approximately one second**. The device will also **automatically power down after three minutes of inactivity** to conserve battery life.

2. Adjustable Polarisation

Press the **main button (M)** briefly to switch between **cross-polarised and non-polarised lighting modes**.

Rotating the main button allows adjustment across **nine polarisation levels**, ranging from:

- Cross-polarised light
- Non-polarised light
- Parallel-polarised light

The **Indicator Strip (IS)** shows the current polarisation setting:

- “X” indicates cross-polarised light
- “0” indicates non-polarised light
- “=” indicates parallel-polarised light

3. PigmentBoost® Illumination

When the device is operating in **white light mode**, pressing the **PigmentBoost button (PB)** activates an **orange illumination overlay** designed to enhance the appearance of pigmented structures.

An indicator LED beside the PB button will illuminate while this feature is active. Press the button again to turn PigmentBoost off.

To adjust the **ratio of orange to white illumination**, press and hold the **PB button** while rotating the **main button (M)**.

4. PigmentBoost Plus Mode

For enhanced visualisation of pigmented lesions, press and hold the **PB button for one second** while the device is on. This activates **orange LEDs only**, without white light.

Brightness can be adjusted by rotating the **main button (M)**.

Press the **PB button** again to return to the previously selected white-light setting.

5. Torch Function

For illuminating **larger skin areas or body cavities**, press the **Torch button (T)** to activate an **ultra-bright non-polarised white LED**.

The **BLE indicator** will glow white while this mode is active.

Torch brightness can be adjusted by rotating the **main button (M)**.

6. Adjusting Dermoscopic Brightness

The brightness of the **white dermoscopic LEDs** can be adjusted by holding either the **Torch button (T)** or the **UV button (UV)** while simultaneously rotating the **main button (M)**.

The **Indicator Strip (IS)** displays the current brightness level during adjustment.

7. Eyepiece Attachment

For improved viewing comfort, attach the supplied **eyepiece (EP)** to the **extension ring (ER)**.

8. Smartphone Dermoscopy

To capture dermoscopic images using a smartphone, attach the **MagnetiConnect adapter (MCC)** to your phone so that it aligns with the camera lens.

The DL5 can then be magnetically attached to the MCC ring.

Before capturing images:

1. Extend the **Spacer (S)**.
2. Ensure the **glass contact plate (CP)** is clean.

The device can also be controlled wirelessly using a compatible mobile application.*

9. Bluetooth Pairing

To pair the dermatoscope with a smartphone:

1. Ensure the device is switched off.
2. Press and hold the **Torch button (T) for three seconds**.
3. Follow the pairing instructions within the smartphone app.

The **BLE indicator** flashes blue during pairing and remains illuminated when connected.

10. Disabling Wireless Connectivity

If wireless communication must be disabled, press and hold the **UV and PB buttons simultaneously for three seconds**.

The BLE indicator will flash six times to confirm the feature has been disabled.

To re-enable connectivity, enter pairing mode again by holding the **Torch button for three seconds**.

When the DL5 lights are switched off, the BLE indicator will flash once to indicate the device remains paired to a smartphone.

Feature availability may vary.

11. Device Reset

To restore factory settings and clear all paired devices, enter the following button sequence while the device is off:

UV → PB → PB → UV → PB → PB → UV

The BLE indicator will flash to confirm the reset.

12. Vacation Mode

Although the DL5 is energy-efficient, a small amount of power is consumed while idle.

To minimise power use during extended storage, activate **Vacation Mode** by pressing and holding the **main button (M) for three seconds**.

The **Indicator Strip (IS)** will briefly illuminate and fade, confirming activation.

To exit Vacation Mode, simply press the **main button** again.

13. Removing the Contact Plate

To remove the **glass contact plate (CP)**, rotate it **counter-clockwise**.

To reinstall it, rotate **clockwise** until secure.

14. Integrated Ruler

The **magnetic ruler (R)** is attached to the handle.

To remove it, press down in the centre of the ruler and lift.

15. IceCap® Disposable Covers

For infection control, the DL5 includes **IceCap disposable covers (IC)**.

To use, snap a cover over the installed **contact plate (CP)**.

After use, remove the cover and dispose of it appropriately.

16. Battery and Charging

Important:

The DL5 uses a **specialised 3.7V 3000mAh lithium-ion battery** available only through DermLite or authorised distributors. Do not install any other battery type.

Over time and after extensive use, lithium-ion batteries may degrade. Signs of deterioration include:

- Reduced battery life
- Unexpected shutdowns
- Erratic device behaviour
- Sudden power loss

If any of these occur, discontinue use immediately and replace the battery.

Dispose of used batteries in accordance with local regulations.

17. Battery Indicator

The device features a **four-level charge indicator (CI)**:

- **4 LEDs** – fully charged
- **3 LEDs** – below 75%
- **2 LEDs** – below 50%
- **1 LED** – below 25%

During charging, the LEDs pulse to indicate the current charge level. Once fully charged, **all four LEDs remain illuminated**.

To charge the device, connect the supplied **USB cable** to the **charging port (PP)** and a **5V IEC 62368-1 compliant USB power source**.